



Features

- Complies with DOT 406 rollover requirements
- Will handle flow rates up to 6-inch piping systems
- Vapor recovery hood standard two outlets
- Buna N (nitrile) seals standard, Viton seals optional

Temperature Range

- Standard seals: -40°F to +140°F (-40°C to 60 °C)
- Viton seals: 0°F to +140°F (-17.77°C to +60°C)

Compatibility

- Standard seals: JetA, JetA1 and other less aromatic petroleum products
- Viton seals: Avgas, automotive gasoline and other aromatic petroleum products

DOT 406 Compliant

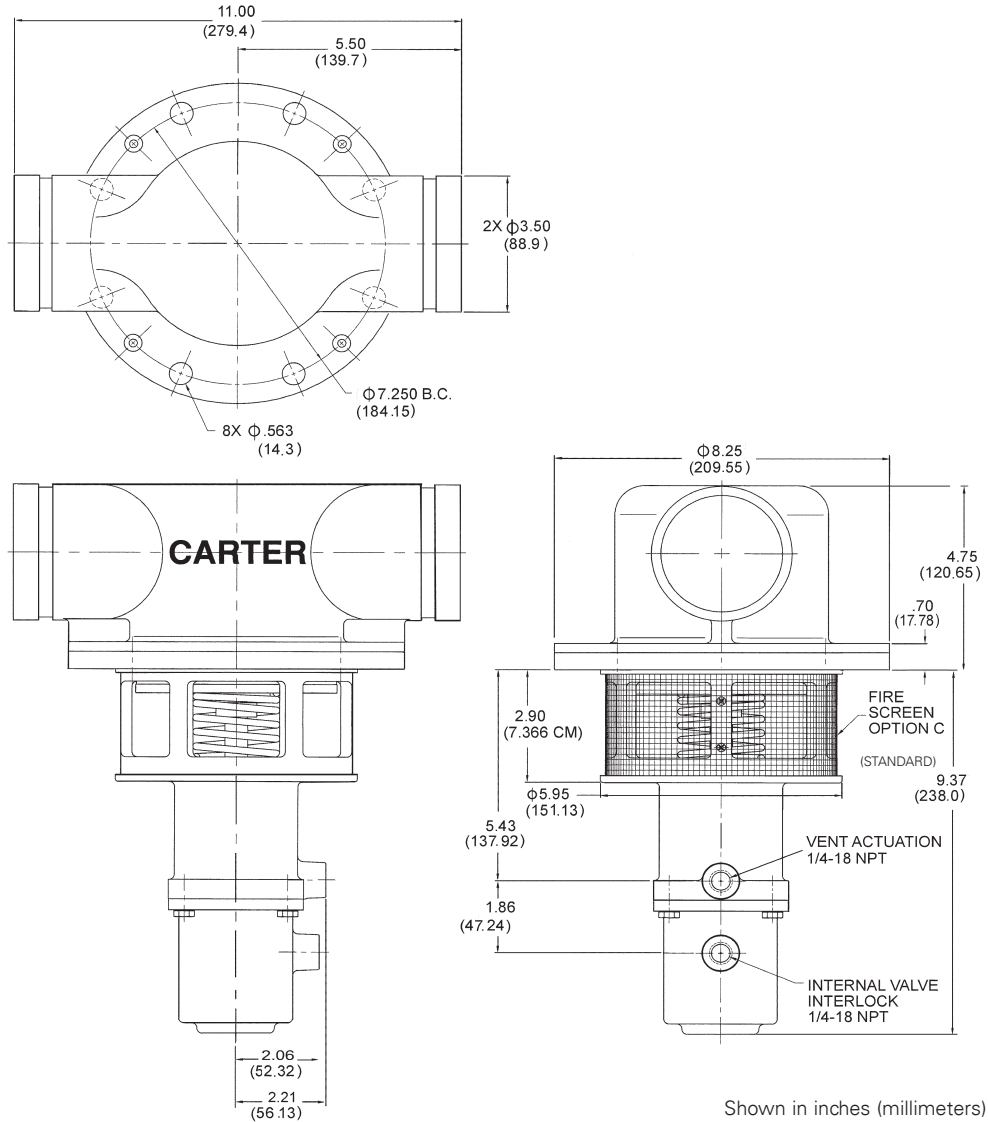
In August of 1995 the Department of Transportation (DOT) made several changes to the over-the-road tanker specification. Portions of the specification now cover aviation refuelers. Eaton's Carter product line offers Model 64167 Air-Operated Vent Valve, which has been designed to meet the requirements of the new DOT specification. Model 64167 is an inward opening design similar to Carter Model 64168 Inward Opening Mechanical Vent. Previously, both mechanical and air-operated vents were outward opening and did not meet the requirements of DOT 406. This style vent was susceptible to opening in the event of a tanker rollover. With the new inward opening design, if a tank does roll over, additional head pressure is applied to the poppet of the valve, thus increasing the sealing capability of the vent valve and improving safety.

With the inward opening design and very low spring rate, the valve can open with as little as 20 psi (1.379 bar) air pressure. Other valves that have installed a high rate spring require full line pressure to open the valve. Depending on the system design, many refuelers use the same pressure to open the bottom loading valve and vent that they use on the deadman control system, which may not be sufficient to open a vent valve with a high spring load. Additional cost may be incurred to reconfigure the air system.

Ordering Data

Model 64167 comes standard with a vapor hood and Buna N seals. Viton seals are optional and a fire screen is optional. Use of a fire screen is highly recommend.

The vent should not be installed without the vapor hood. The use of the vapor hood helps in preventing accumulated water (between the turn over rails) or other contamination from going into the product tank when the vent is opened during normal operation.



Shown in inches (millimeters)

Eaton
Aerospace Group
Fluid & Electrical Distribution Division
9650 Jeronimo Road
Irvine, CA 92618
Phone: (949) 452-9500
Fax: (949) 452-9992
E-mail: groundfueling@eaton.com
www.eaton.com/aerospace

Copyright © 2013 Eaton
All Rights Reserved
Form No. DS100-103C
May 2013